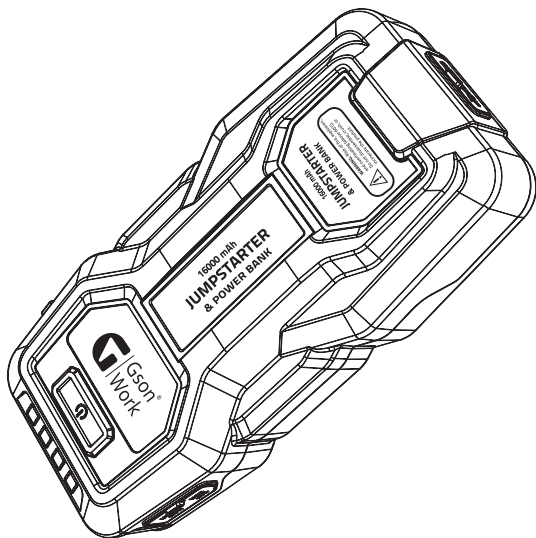


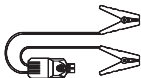
12V 1600A

JUMP STARTER

& POWER BANK



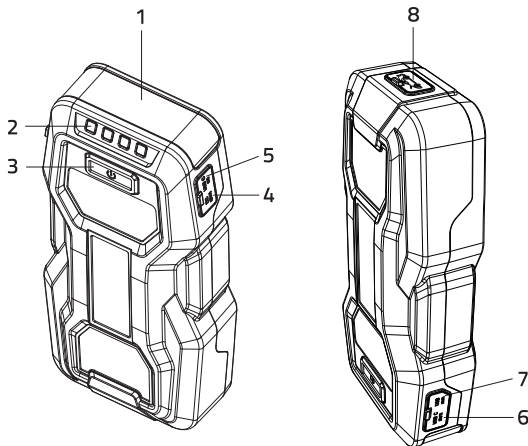
**Jump cable
with clamps**



Charging cable



1. PRODUCT LAYOUT



- 1.) Led Light
- 2.) Battery status light
- 3.) Power Button
- 4.) DC output Port

- 5.) USB-C Input
- 6.) USB-C Output
- 7.) QC3.0 Output
- 8.) Jumpstart Port

2. PARTS LIST

#	Parts Name	Quantity	#	Parts Name	Quantity
1	Jump starter unit	1	4	Charging cable	1
2	Jump cable with clamps	1	5	User manual	1
3	Carry bag	1			

3. OPERATION GUIDANCE

3.1.Power Indicator

Press the power button to detect the power level of the car jump starter. The battery status light indicates the remaining power 4 lights will on after the charging is completed. Each light indicates 25% of the power voltage.

3.2.Charging Instructions

3.2.1.Charge it first before first use!

3.2.2.Do not use the device during charging!

3.2.3.When charging, the indicator light flashes

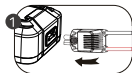


Charging Status	The indicator light flashes.
Full Charged	The battery light stops flashing and charging stops automatically.The device will enter sleep mode.

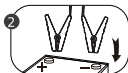
3.3.Operation Instructions

How to start a 12V vehicle?

Before starting the vehicle, please confirm that the power of the product is above 80%.



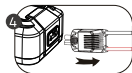
Insert jumper cable



Connect the vehicle battery



Start the vehicle engine(within 30s)



Pull out the plug before disconnect the car battery

3.3.1.Insert the jumper cable fully into the unit.

3.3.2.Connect the RED clamp to the vehicle's battery positive (+) terminal and connect the BLACK clamp to the vehicle's battery negative (-) terminal.

3.3.3.Start the vehicle, and interval time between each starting must be OVER 30s; if after 3 times failure, stop trying again; please check if there are problems of the vehicle engine or circuit.

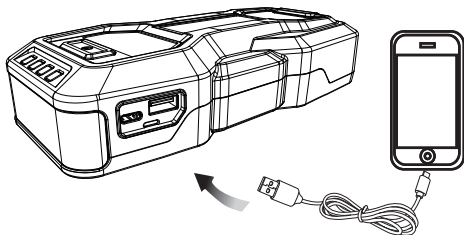
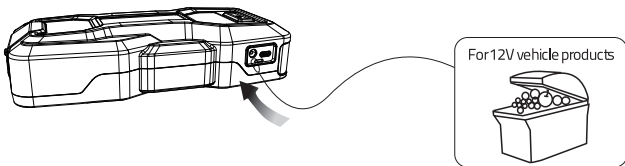
3.3.4.When the vehicle is started, remove jumper cable from jump starter and disconnect red and black clamps to the vehicle battery terminals within 30 seconds.

Smart Jumper Cable Indicator

Indicator	Situations
Flashing red and green indicator	Jumper cable connected
Solid green indicator	Ready to start
Solid red indicator	1.Low voltage protection --Recharge the product 2.Over-heating protection --Remove the clamps to let it cool 3.Timeout protection Connection timed out. --Remove the clip within 30s after a successful start
Solid red with discontinuous beeping	Reverse polarity protection --Reverse the clips and ensure the correct connection
Solid red with continuous beeping	Short circuit protection --Don't connect the clips together or to the same metal

3.4.Charging Electronic Devices With Powerbank

- 3.4.1. Connect your smart phones, tablets, headphones or other electronic devices using the USB cable to either of the USB output ports. Or connect 12V vehicle products to DC output port.
- 3.4.2. Press the 'POWER' button once to start charging.
- 3.4.3. Unplug the cable when fully charged.



3.5.LED Flashlight

Turn on the Power Button, long press the LED Light Switch to turn on the led light and short press the button to choose the light modes.

There are 3 modes for LED light appear in order (illumination, strobe, SOS) if you press slightly.



4. TECHNICAL SPECIFICATIONS

Size: 213.3X99.2X47mm

Weight: 650g

Capacity: 16000mAh (4000mAh x 4 cells) /59.2Wh

USB-C Input: 5V/2A or 9V/2A

USB-A Output: QC 3.0 (5V/3A, 9V/2A,12V/1.5A)

USB-C Output: QC 3.0 (5V/3A, 9V/2A,12V/1.5A)

DC Output: 12-16V/10A

Full charging time: 3-8h

Start current: 800A

Peak current: 1600A

Operation temp: -20 C ~60 C / -4°F~140°F

Protections: Short circuit proof,over charge protection and discharge protection

Lifetime: >1000cycles

FOR 12V DIESEL CARS UP TO 5.0L AND GASOLINE CARS UP TO 7.0L

5. FAQ

Q: How do I turn off this appliance?

A: The appliance will automatically power off when no load is detected or when the charging is completed.

Q: What is the expected battery life for this appliance after being fully charged?

A: The battery typically lasts 3-6 months; however, we recommend recharging it every 3 months.

Q: What temperature is safe for using and storing the unit?

A: The unit works best between -20°C to 60°C (-4°F to 140°F). Avoid storing it in a hot vehicle for long periods, as temperatures above 60°C (140°F) can damage the battery and make it unsafe.

Q: How do I know if I've connected the unit to the vehicle correctly?

A: When the battery clamps are on the vehicle battery, a steady green light on the jumper cable means it's connected correctly. If only the red light is on, it's not connected correctly.

Q: Can this unit charge other devices while it is being charged?

A: No.

Q: Can this product charge other devices while starting a vehicle?

A: No.

6. Trouble Shooting

Problem	Reason	Solution
Unit Fails to Jump Start	Insufficient power level.	Please keep the battery level higher than 80%.
	Bad connection caused by rust or dirt on car's battery terminals.	Please clean the terminals and try again.
	The unit activated its overheating protection due to the battery overheating.	Please try again after waiting for one minute to let the unit cool down.
	The clamps are connected incorrectly.	Please ensure the clamps are connected to the correct (+-) terminals.
	Problem unrelated to the car's battery.	Please use the appropriate equipment to check the error code of the vehicle.
	Jump start the car with a different voltage battery.	This unit is for vehicles (equipment) with 12V batteries only.

7. TOXIC AND HARMFUL SUBSTANCES

Composition and a amount of toxic and harmful substance in jump starter

Pb	Hg	Cd	Cr(VI)	PBB
0	0	0	0	0
PBDE	DBP	BBP	DEHP	DIBP
0	0	0	0	0

0: Indicate all homogeneous materials's hazardous substances content are below the MC VI limit specified in the standard 2011/65/EU (RoHS) with an amendment (EU)2015/863.

8. Warning

- ⚠ ● This unit is for vehicle(equipment) with 12v batteries only. It may be dangerous if it is used with other types of batteries. Read and understand the safety information before using the jump starter.
- Do not try to restart the vehicle after 3 consecutive attempts as this may damage the unit. Check your vehicle for other possible reasons why it can't be restarted.
- Failure to follow the safety information may cause damage to the jump starter, and may also result in electric shock explosions, fire, property damage, and personal injury.
- This product is not a toy, and it is forbidden for children to use it, it is recommended for users over 16 years of age.
- When the product is used for the first time, charge the product for more than 3 hours. This product has a built-in non-removable lithium battery. It is forbidden to throw this product into a fire or throw it away at will. The lithium battery may catch fire, spontaneously ignite and explode due to overheating, impact or water. Please avoid exposure to the sun in the car, or exposed to high temperature environment.
- If the product is swollen, leaking or smells, please stop using it immediately.
- If the product has abnormal noise or high temperature during use, please stop using it and shut it down immediately.
- Please store or use in a dry and clean environment. Avoid dampness, heavy falls, water immersion and sand intrusion. The intrusion of sand and dust may cause damage to the product; This product is also not waterproof, and it is forbidden to wash in water.
- Please keep away from corrosive materials when storing this product, and the storage temperature should not be lower than $-20\text{ }^{\circ}\text{C}$ ($-4\text{ }^{\circ}\text{F}$) or higher than $60\text{ }^{\circ}\text{C}$ ($140\text{ }^{\circ}\text{F}$). Too cold or too hot will shorten the life of the product and damage the built-in battery. Please keep this product charged at least once every 3 months.
- Do not disassemble the machine by yourself, otherwise it may cause a safety accident.

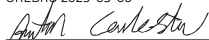
9. Warranty Information

We provide a limited warranty for this product against defects in material and workmanship for a period of 12 months from the purchase date. The terms and conditions of the warranty are outlined below:

- The warranty is valid only upon the presentation of the original receipt (from the dealer/retailer) by the original purchaser along with the product for repair or replacement.
- The warranty becomes void if the serial number, date of purchase, or label is removed.
- Damages or product failure resulting from normal wear and tear, physical abuse, improper installation, modification, or repairs by unauthorized third parties are not covered by the warranty.
- We do not assume responsibility for any loss or damage incurred during shipment or due to force majeure.
- We are not liable for any incidental or consequential damages arising from the use or misuse of the product.
- All warranty claims are restricted to the repair or replacement of the defective product at our sole discretion.
- If we choose to repair or replace the product, it will be covered for the remaining time of the original warranty period. Repair or replacement may involve the use of reconditioned units that are functionally equivalent. Any replaced part or product becomes our property.
- Consumable components such as batteries and accessories are not covered by the warranty

Undersigned on behalf of Gson Europe AB

ÖREBRO 2025-03-06



Anton Carlestav

Purchased / Undersigned on behalf of Gson Europe AB and authorized to compile the technical documentation.



GSON EUROPE
Nastagatan 9
702 27 Örebro
Sweden



Overcharge and
Overdischarge Protection



Fuse Protection



Against-reverse Plug

